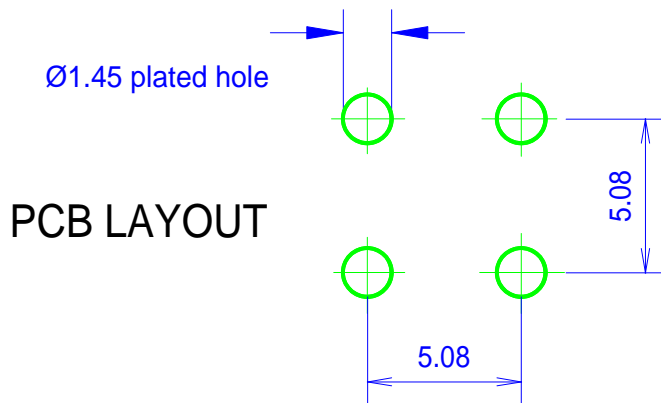
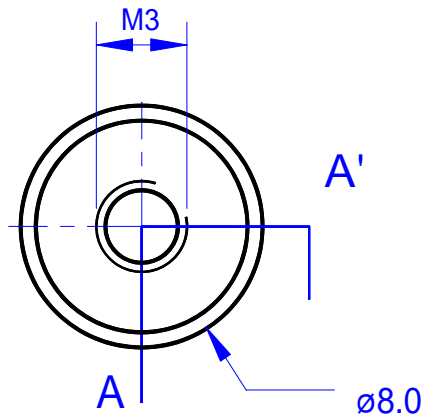


SCALE 4:1



MATERIAL  
CuZn40Pb2 / CW617N >BROXING<

NAME  
SN08R3M  
40A M3 Soldernut

REVISION	DATE	NAME	DESCRIPTION
DRAWN	29/07/09	BF	GROUP(S) <i>PowerClamp</i>
CHECKED			
APPROVED			

DRAWING NR.	MC0139	SIZE	A4	SHEET NR.	C
CAD FILE NAME	mc0139	4:1	OF		-