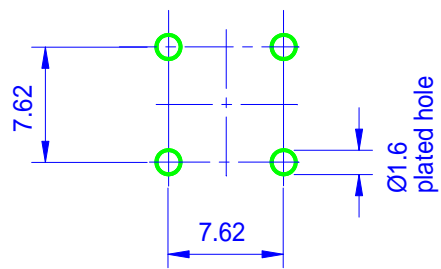
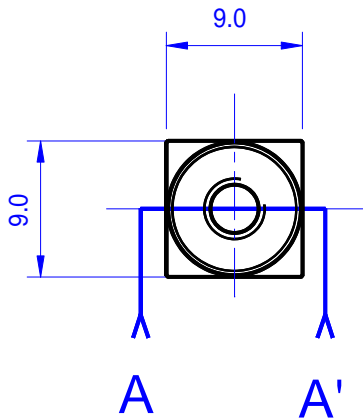
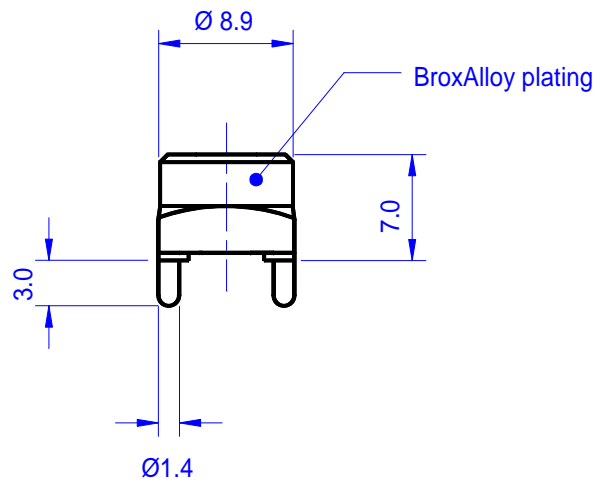
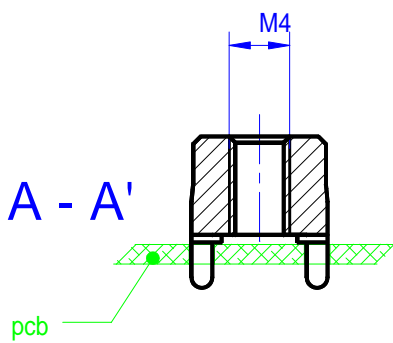
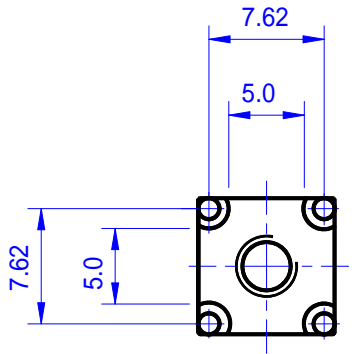


scala 2:1



drilling plan

				MATERIAL	CuZn40Pb2 / CW617N		>BROXING<	
				NAME	50A M4-PowerClamp SN0904M			
REVISION	DATE	NAME	DESCRIPTION					
DRAWN	14.01.09			GROUP(S)	DRAWING NR.	MC0129	SIZE	SHEET NR.
CHECKED	12.09.11	BF		PowerClamp®			A4	C
APPROVED					CAD FILE NAME	mc0129	2:1	OF