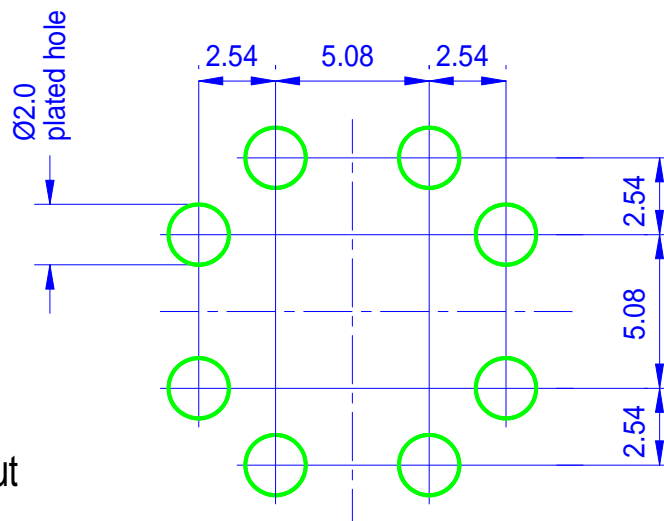
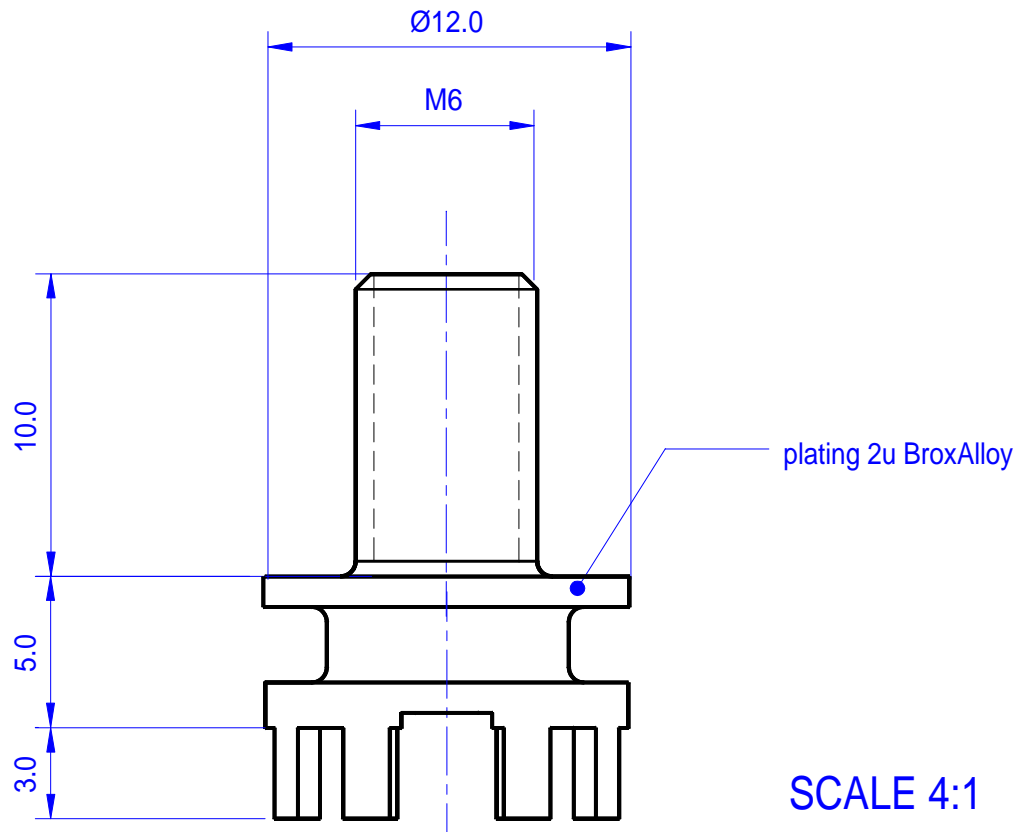


1.0101.001



PCB LayOut

				MATERIAL CuZn40Pb2 / CW617N	>BROXING<	
				NAME SB12R6M 150A - M6 Solderbolt		
				CUSTOMER: __		
REVISION	DATE	NAME	DESCRIPTION	DRAWING NR.	SIZE	SHEET NR.
DRAWN	02.04.10		GROUP(S)	MC0101	A4 4:1	C OF -
CHECKED	16.07.12		PowerClamp®			
APPROVED				CAD FILE NAME		
				mc0101		

All specifications subject to change without notification. Consult >BROXING< for latest specifications