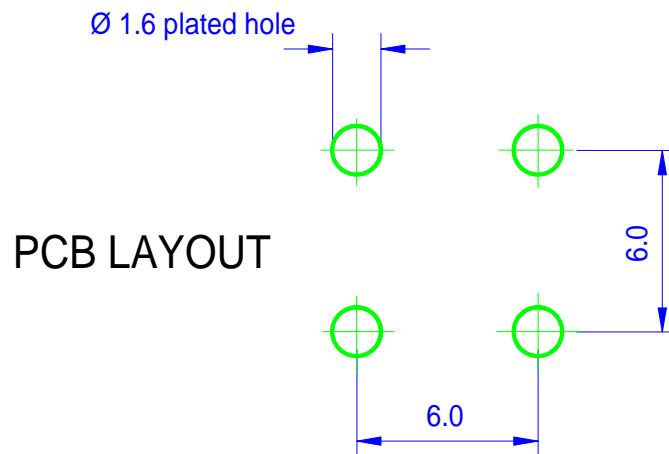
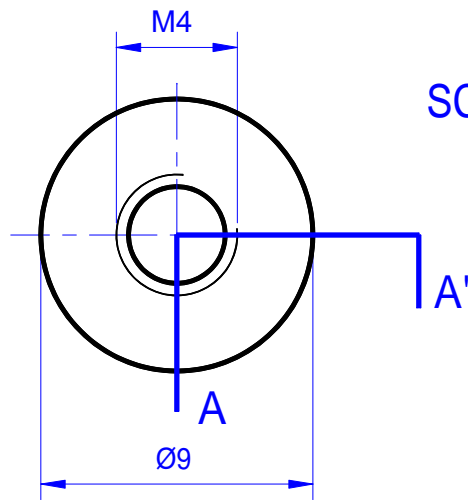
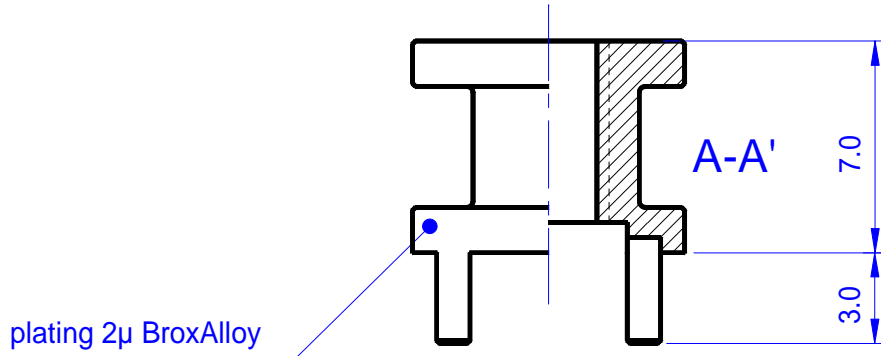


1.0093.001



MATERIAL CuZn40Pb2 / CW617N		>BROXING<	
NAME SN09R4M-h7 50A M4 Soldernut			
DRAWING NR. MC0093		SIZE A4	SHEET NR. C
CAD FILE NAME mc0093		4:1	OF —

www	07.12.11		
REVISION	DATE	NAME	DESCRIPTION
DRAWN	10/03/06	BF	GROUP(S)
CHECKED			PowerClamp
APPROVED			