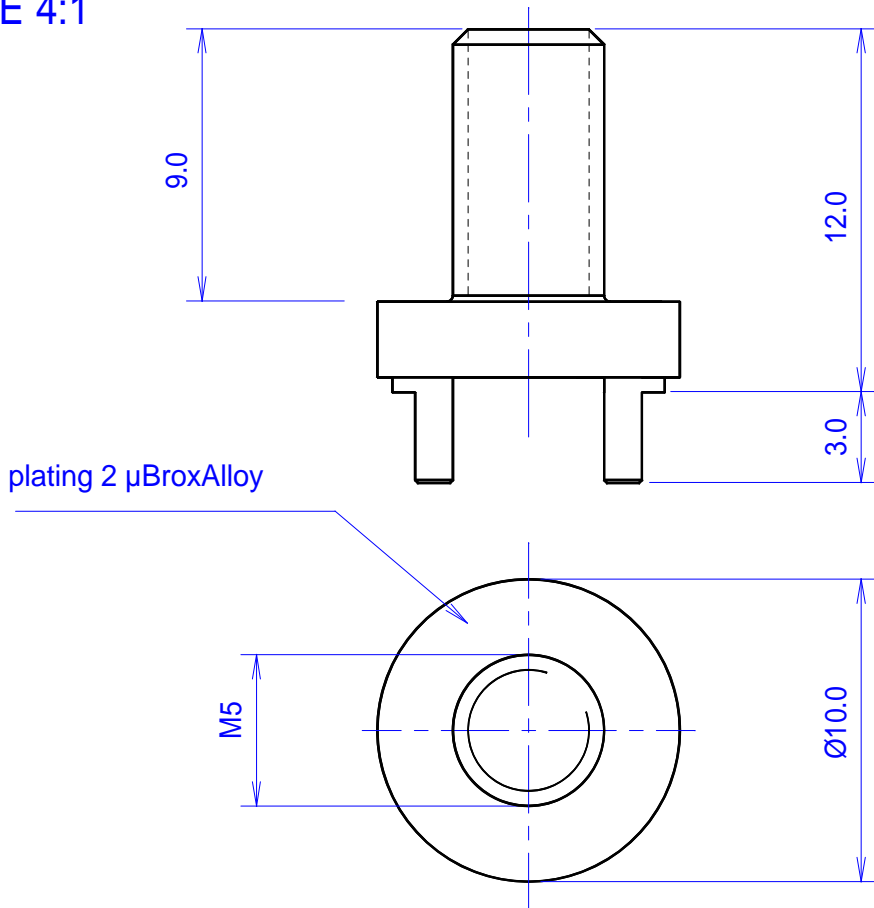
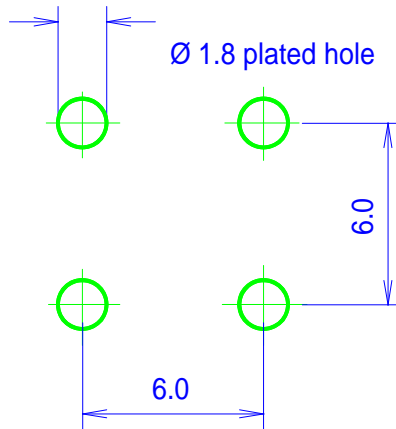


SCALE 4:1



PCB LAYOUT



				MATERIAL	CuZn40Pb2 / CW617N		<b>&gt;BROXING&lt;</b>	
				NAME	<b>SB10R5M 60A M5 Solderbolt</b>			
REVISION	DATE	NAME	DESCRIPTION					
DRAWN	28/04/06	BF	GROUP(S)	DRAWING NR.	<b>MC0089</b>		SIZE	SHEET NR.
CHECKED	16/07/12		<i>PowerClamp</i>	CAD FILE NAME	mc0089		A4	C
APPROVED							4:1	OF —