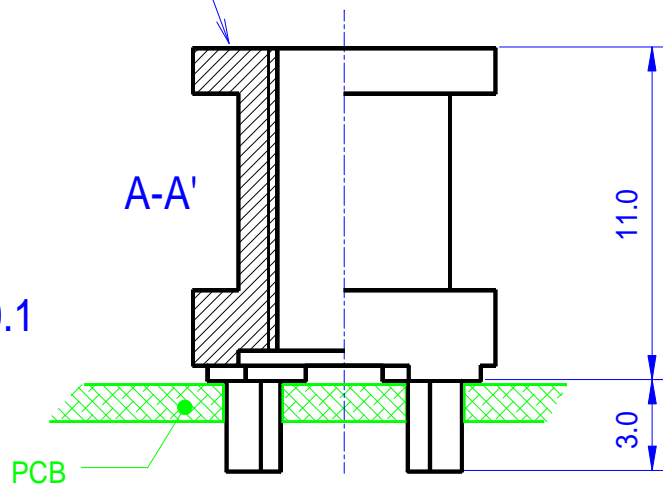


SCALE 4:1

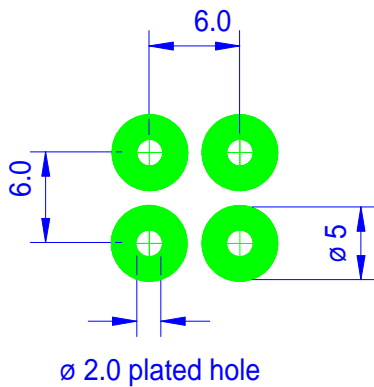
plating 3µ BroxAlloy "S"

not quoted tolerances: +/- 0.1

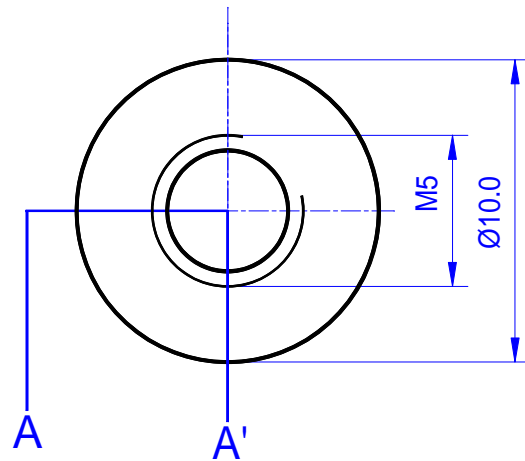


PCB

PCB Layout



SCALE 2:1



MATERIAL CuZn40Pb2 / CW617N	>BROXING<
--------------------------------	-----------

NAME SN10R5M 75A M5 Soldernut

00	26/01/17	Tekno	
REVISION	DATE	NAME	DESCRIPTION
DRAWN	21/04/06	Tekno	GROUP(S)
CHECKED	28/08/14	Bf	PowerClamp
APPROVED			

DRAWING NR. MC0086-00	SIZE A4	SHEET NR. C
CAD FILE NAME mc008600	4:1	OF —