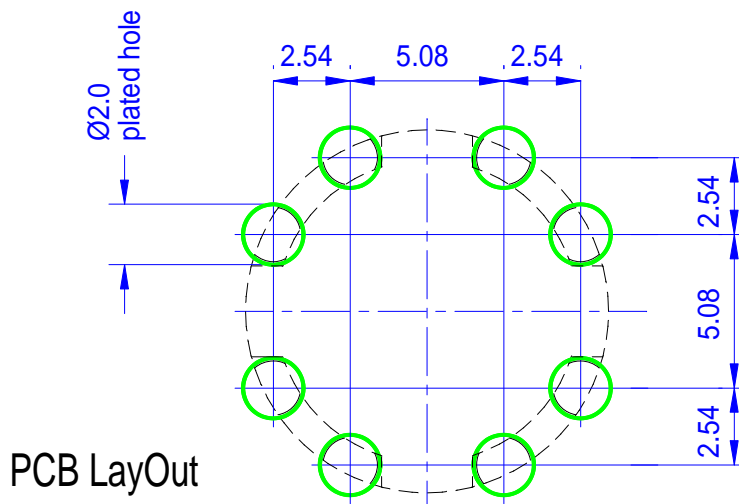
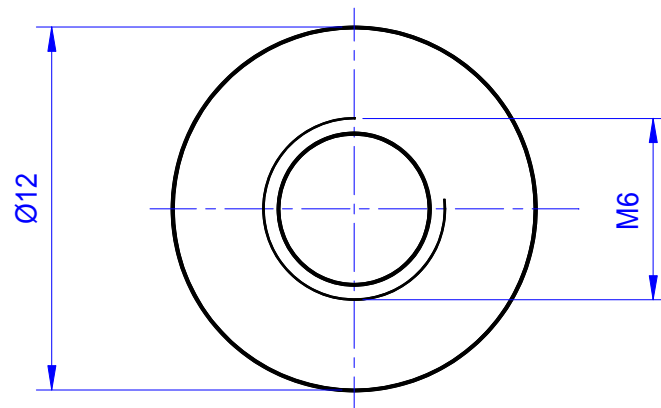
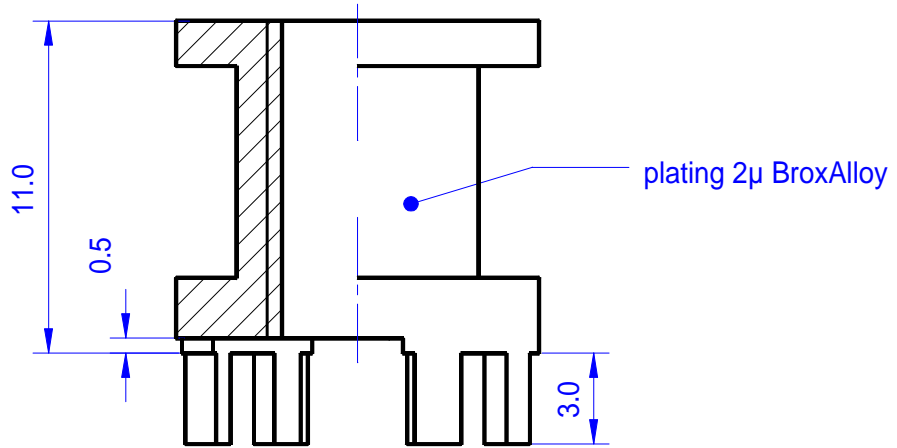


SCALE 4:1



				MATERIAL	CuZn40Pb2 / CW617N	>BROXING<
				NAME	SN12R6M 150A M6 Soldernut	
A	17/01/07					
REVISION	DATE	NAME	DESCRIPTION			
DRAWN	18/05/06		GROUP(S)	DRAWING NR.	MC0085	SIZE A4
CHECKED	16/07/12		PowerClamp	CAD FILE NAME	mc0085a	SHEET NR. C
APPROVED						

All specifications subject to change without notification. Consult >BROXING< for latest specifications