

General Description

The high current Press-Fit terminal blocks and spacers of the **PowerClamp** Series are designed for the solderless PCB or bus bar mount by the famous **SOFTPRESS** technique. This technology guarantees a very low contact resistance between the PCB and the **PowerClamp**

These **PowerClamp** components handle continuous currents from 100 up to 600 Amps and appear in different standard configurations:

N - Series – terminal block with internal thread (nut) – (see this document)

B - Series – terminal block with external thread (bolt)

L - Series – terminal block with 90° mounting (horizontal thread or hole)

H - Series – spacer without thread (through hole spacer)

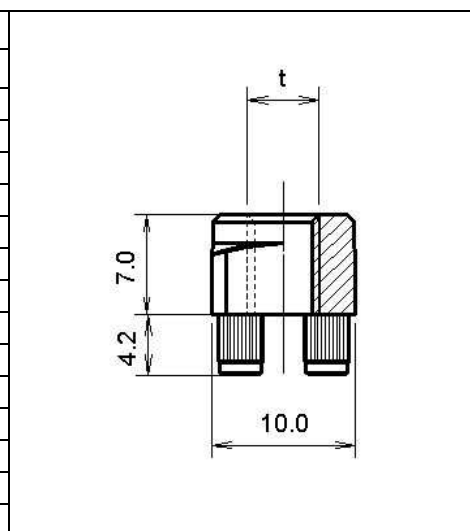
D - Series – spacer with double press-fit zone

Various accessories allow the enlargement of the applications (see *accessories and applications*)



Technical Specifications

Metric thread	N1004M4-h7	N1005M4-h7
UNC thread	N1004U4-h7	N1005U4-h7
Current rating ¹⁾	150 A	200 A
Metric thread size t	M4	M5
UNC thread size t	#8 - 32	#12 - 24
Breaking torque	7.0 Nm / 5.3 lbf ft	18 Nm / 13.5 lbf ft
Max. insertion force (PCB)	1'200 N / 270 lbf	
Min. extraction force (PCB)	1'100 N / 250 lbf	
Material	CuZn40Pb2 / CW617N	
Contact plating ²⁾	2 µ BroxAlloy	
Weight	6g	5g



¹⁾ The max. current depends on the PCB copper thickness.

²⁾ On request other platings

Recommended PCB Configuration

for PCB configuration see DT0101

http://www.broxing.com/Applications/dt0101_plated_holes.pdf

PCB thickness: 1.5 – 3.2 mm

PCB Press-Fit Standards:
IEC 60352-5, DIN EN 60352-5

PCB DRILLING PLAN

min. pad diameter: 140mils