

General Description

The high current Press-Fit terminal blocks and spacers of the **PowerClamp** Series are designed for the solderless PCB or bus bar mount by the famous **SOFTPRESS** technique. This technology guarantees a very low contact resistance between the PCB and the **PowerClamp**. These **PowerClamp** components handle continuous currents from 100 up to 600 Amps and appear indifferent standard configurations:

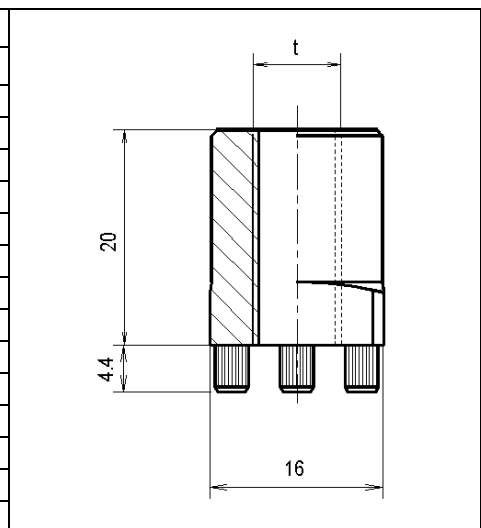
- N** - Series – terminal block with internal thread (nut) - (see this document)
- B** - Series – terminal block with external thread (bolt)
- L** - Series – terminal block with 90° mounting (horizontal thread or hole)
- H** - Series – spacer without thread (through hole spacer)
- D** - Series – spacer with double press-fit zone

Various accessories allow the enlargement of the applications (see *accessories* and *applications*)



Technical Specifications

Metric thread	N1606M	N1608M
UNC thread	N1606U	N1608U
Current rating ¹⁾	400 A	
Metric thread size	t M6	M8
UNC thread size	t 1/4" - 20	5/16" - 18
Max. torque	6.0 Nm / 4.5 lbf ft	10 Nm / 7.5 lbf ft
Max. insertion force (PCB)	2'400 N / 540 lbf	
Min. extraction force (PCB)	2'200 N / 500 lbf	
Material	CuZn40Pb2 / CW617N	
Contact surface ²⁾	2 μ BroxAlloy	
Weight	25 g	29 g



¹⁾ The max. current depends on the PCB copper thickness.

²⁾ On request other platings

Recommended PCB Configuration

for PCB configuration see DT0101
http://www.broxing.com/Applications/dt0101_plated_holes.pdf
 PCB thickness: 1.5 – 3.2 mm
 PCB Press-Fit Standards:
 IEC 60352-5, DIN EN 60352-5

PCB DRILLING PLAN

min. pad diameter: 140mils