

General Description

The high current Press-Fit terminal blocks and spacers of the **PowerClamp** Series are designed for the solderless PCB or bus bar mount by the famous **SOFTPRESS** technique. This technology guarantees a very low contact resistance between the PCB and the **PowerClamp**. These **PowerClamp** components handle continuous currents from 100 up to 600 Amps and appear indifferent standard configurations:

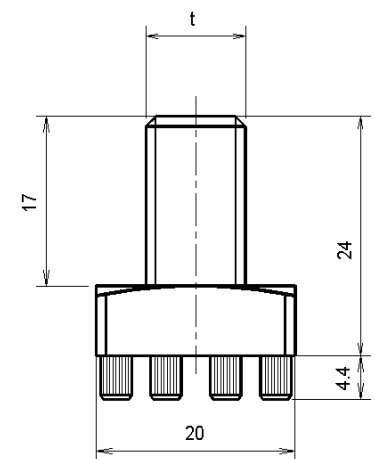
- B** - Series – terminal block with external thread (bolt) - (see this document)
- N** - Series – terminal block with internal thread (nut)
- L** - Series – terminal block with 90° mounting (horizontal thread or hole)
- H** - Series – spacer without thread (through hole spacer)
- D** - Series – spacer with double press-fit zone

Various accessories allow the enlargement of the applications (see *accessories* and *applications*)



Technical Specifications

Metric thread	B2008M	B2010M
UNC thread	B2008U	B2010U
Current rating ¹⁾	600 A	
Metric thread size	t M8	M10
UNC thread size	t 5/16" - 18	3/8" - 16
Suggested tightening torque	12 Nm / 9.1 lbf ft	23 Nm / 17.5 lbf ft
Nom. insertion force (F4 1.6) ²⁾	6'000 N / 1'350 lbf	
Nom. extraction force (FR4 1.6) ²⁾	5'400 N / 1'215 lbf	
Material	CuZn40Pb2 / CW617N	
Plating ³⁾	3 μ BroxAlloy	
Weight	31 g	34 g



¹⁾ The max. current depends on the PCB copper thickness. ²⁾ The force depends on the PCB Layout
³⁾ On request other platings

Recommended PCB Configuration

for PCB configuration see AN0010
<http://www.broxing.com/Applications/an0010.pdf>
 PCB thickness: 1.5 – 3.2 mm
 PCB Press-Fit Standards:
 IEC 60352-5, DIN EN 60352-5

PCB DRILLING PLAN

min. pad diameter: 140mils