

PowerClamp Datasheet DS-B100xx4

200 Amps High Current Press-Fit Terminal Blocks
B1004*4, B1005*4

>BROXING<

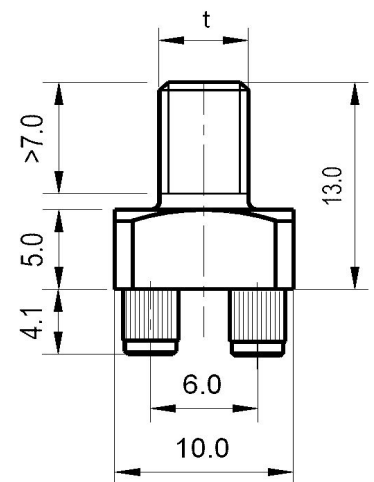
General Description

The high current Press-Fit terminal blocks and spacers of the **PowerClamp** Series are designed for the solderless PCB or bus bar mount by the famous **SOFTPRESS** technique. This technology guarantees a very low contact resistance between the PCB and the **PowerClamp**. These **PowerClamp** components handle continuous currents from 100 up to 600 Amps and appear in different standard configurations:
B - Series – terminal block with external thread (bolt) - (see this document)
N - Series – terminal block with internal thread (nut)
L - Series – terminal block with 90° mounting (horizontal thread or hole)
H - Series – spacer without thread (through hole spacer)
D - Series – spacer with double press-fit zone
 Various accessories allow the enlargement of the applications (see *accessories and applications*)



Technical Specifications

Metric thread	B1004M4	B1005M4
UNC thread	B1004U4	B1005U4
Current rating ¹⁾	200 A	
Metric thread size	t M4	M5
UNC thread size	t #8 - 32	#12 - 24
Suggested tightening torque	1.4 Nm / 1.1 lbf ft	2.8 Nm / 2.1 lbf ft
Nom. insertion force (F4 1.6) ²⁾	2'000 N / 450 lbf	
Nom. extraction force (FR4 1.6) ²⁾	1'800 N / 400 lbf	
Material	CuZn40Pb2 / CW617N	
Plating ³⁾	3 μ BroxAlloy	
Weight	6 g	7 g



¹⁾ The max. current depends on the PCB copper thickness. ²⁾ The force depends on the PCB Layout
³⁾ On request other platings

Recommended PCB Configuration

for PCB configuration see AN0010
<http://www.broxing.com/Applications/an0010.pdf>
 PCB thickness: 1.5 – 3.2 mm
 PCB Press-Fit Standards:
 IEC 60352-5, DIN EN 60352-5

PCB DRILLING PLAN

min. pad diameter: 140mils

www.broxing.com/Catalogue/b10-4_en.pdf